



PJM10H05PPA

P-Channel Enhancement Mode Power MOSFET

Product Summary

- $V_{DS} = -100V, I_D = -5A$
- $R_{DS(on)} < 350m\Omega @ V_{GS} = -10V$
- $R_{DS(on)} < 400m\Omega @ V_{GS} = -4.5V$

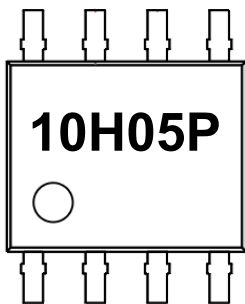
Features

- Advanced Trench Technology
- 100% Avalanche Tested
- RoHS and Reach Compliant
- Halogen and Antimony Free
- Moisture Sensitivity Level 3

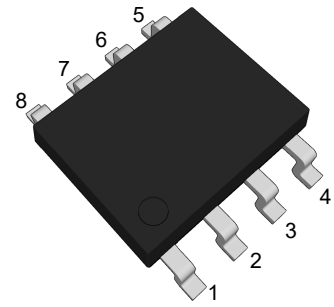
Application

- Load Switch
- Uninterruptible Power Supply
- Battery Protection

Marking Code



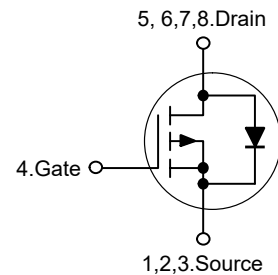
SOP-8



(Top View)

Pin	Description
1,2,3	Source
4	Gate
5,6,7,8	Drain

Schematic Diagram



Absolute Maximum Ratings

Ratings at 25°C ambient temperature unless otherwise specified.

Parameter	Symbol	Value	Unit
Drain-Source Voltage	$-V_{DS}$	100	V
Gate-Source Voltage	V_{GS}	± 20	V
Drain Current-Continuous	$-I_D$	5	A
Drain Current-Pulsed ^{Note1}	$-I_{DM}$	12	A
Maximum Power Dissipation	P_D	1.9	W
Single Pulse Avalanche Energy ^{Note2}	E_{AS}	20	mJ
Junction Temperature	T_J	150	°C
Storage Temperature Range	T_{STG}	-55 to +150	°C

Thermal Characteristics

Thermal Resistance, Junction-to-Ambient ^{Note3}	$R_{\theta JA}$	66	°C/W
--	-----------------	----	------



PJM10H05PPA

P-Channel Enhancement Mode Power MOSFET

Electrical Characteristics

($T_J=25^\circ\text{C}$ unless otherwise specified)

Parameter	Symbol	Test Condition	Min.	Typ.	Max.	Unit
Static Characteristics						
Drain-Source Breakdown Voltage	$-V_{(BR)DSS}$	$V_{GS}=0V, I_D=-250\mu A$	100	--	--	V
Zero Gate Voltage Drain Current	$-I_{DSS}$	$V_{DS}=-100V, V_{GS}=0V$	--	--	1	μA
Gate-Body Leakage Current	I_{GSS}	$V_{GS}=\pm 20V, V_{DS}=0V$	--	--	± 100	nA
Gate Threshold Voltage ^{Note4}	$-V_{GS(th)}$	$V_{DS}=V_{GS}, I_D=-250\mu A$	1.0	1.8	2.5	V
Drain-Source On-Resistance ^{Note4}	$R_{DS(on)}$	$V_{GS}=-10V, I_D=-2A$	--	276	350	m Ω
		$V_{GS}=-4.5V, I_D=-1A$	--	291	400	m Ω
Forward Transconductance ^{Note4}	g_{FS}	$V_{DS}=-5V, I_D=-3A$	--	8	--	S
Dynamic Characteristics						
Input Capacitance	C_{iss}	$V_{DS}=-25V, V_{GS}=0V, f=1MHz$	--	1192	--	pF
Output Capacitance	C_{oss}		--	43	--	pF
Reverse Transfer Capacitance	C_{rss}		--	31	--	pF
Gate Resistance	R_G	$V_{DS}=0V, V_{GS}=0V, f=1MHz$	--	5.8	--	Ω
Total Gate Charge	Q_g	$V_{DS}=-50V, I_D=-2A,$ $V_{GS}=-10V$	--	20	--	nC
Gate-Source Charge	Q_{gs}		--	4.7	--	nC
Gate-Drain Charge	Q_{gd}		--	6.5	--	nC
Switching Characteristics						
Turn-on Delay Time	$t_{d(on)}$	$V_{DD}=-50V, I_D=-2A,$ $V_{GS}=-10V, R_{GEN}=3\Omega$	--	10	--	nS
Turn-on Rise Time	t_r		--	8	--	nS
Turn-off Delay Time	$t_{d(off)}$		--	31	--	nS
Turn-off Fall Time	t_f		--	9	--	nS
Source-Drain Diode Characteristics						
Diode Forward Voltage ^{Note4}	$-V_{SD}$	$V_{GS}=0V, I_S=-5A$	--	--	1.2	V
Diode Forward Current ^{Note3}	$-I_S$		--	--	5	A

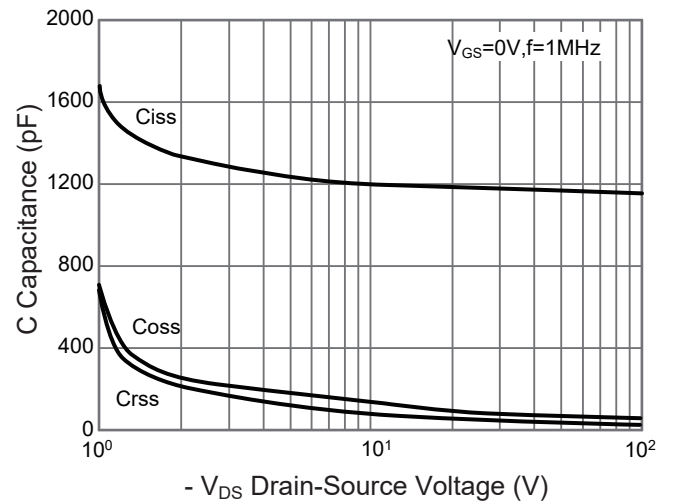
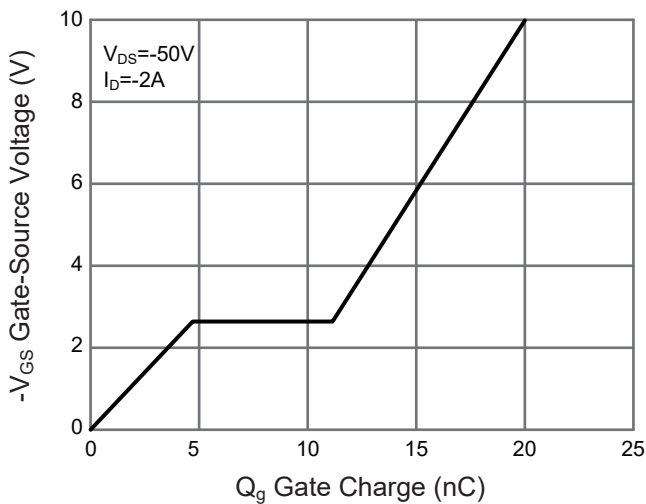
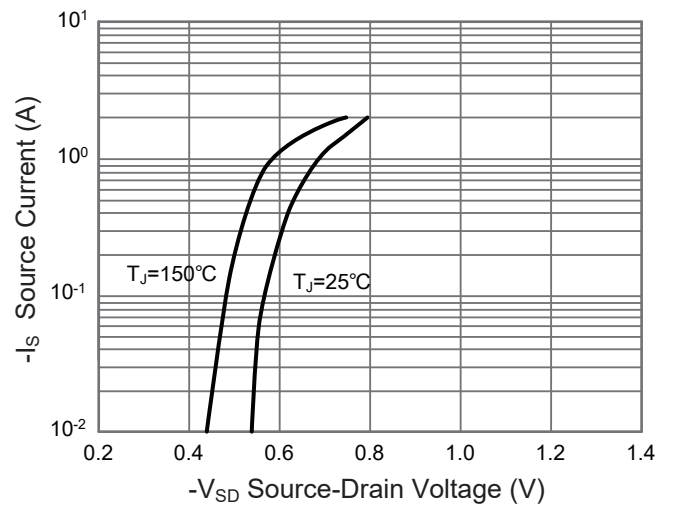
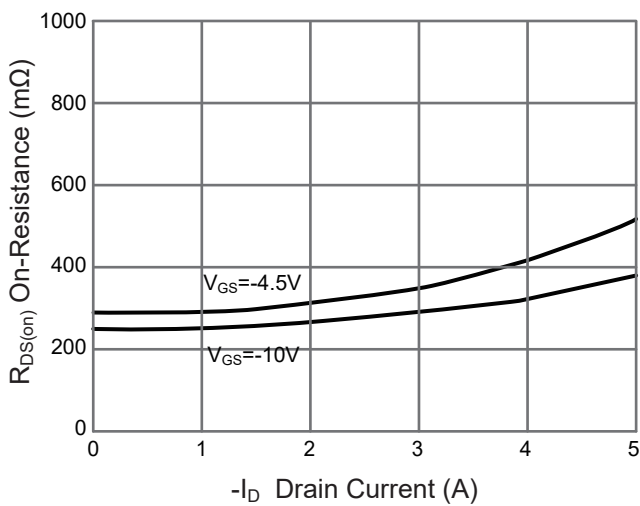
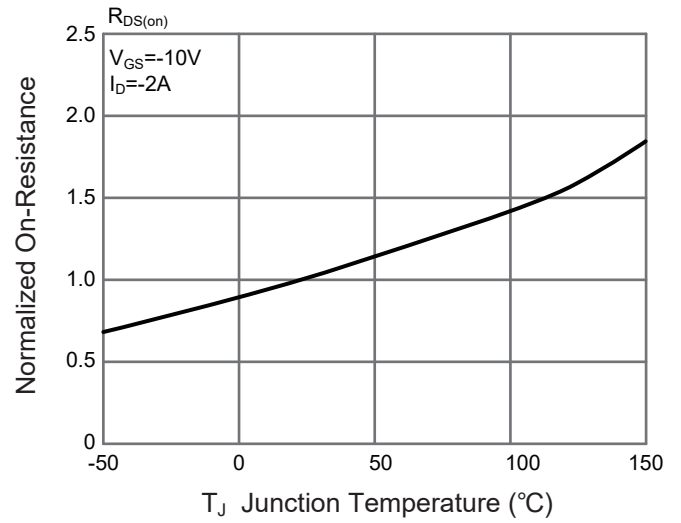
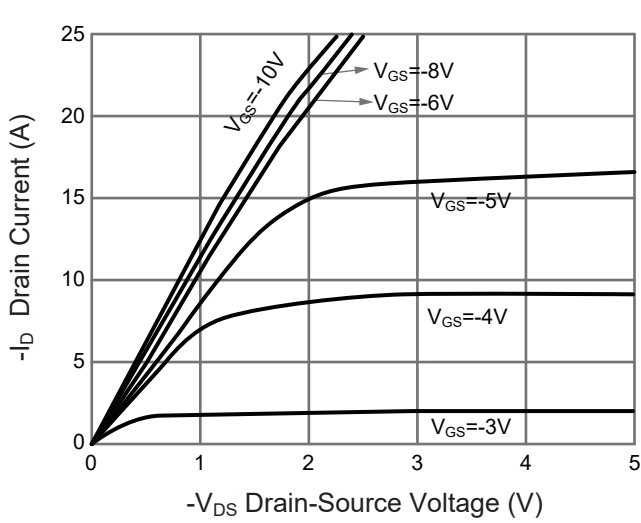
- Note: 1. Repetitive Rating: Pulse width limited by maximum junction temperature.
 2. EAS Condition: $T_J=25^\circ\text{C}, V_{DD}=-50V, V_G=-10V, R_G=25\Omega, L=0.5mH, I_{AS}=-9A$.
 3. Surface Mounted on FR4 Board, $t \leq 10$ sec.
 4. Pulse Test: Pulse width $\leq 300\mu s$, duty cycle $\leq 2\%$

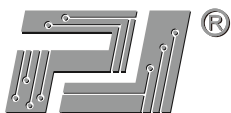


PJM10H05PPA

P-Channel Enhancement Mode Power MOSFET

Typical Characteristic Curves





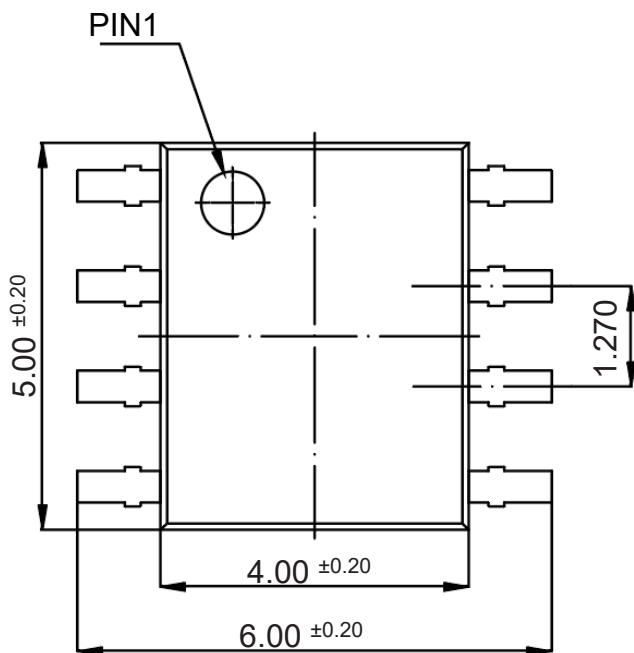
PJM10H05PPA

P-Channel Enhancement Mode Power MOSFET

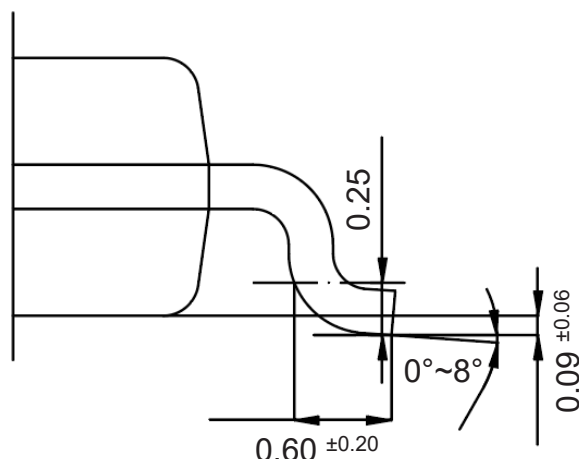
Package Outline

SOP-8

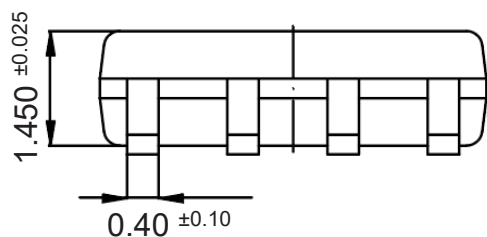
Dimensions in mm



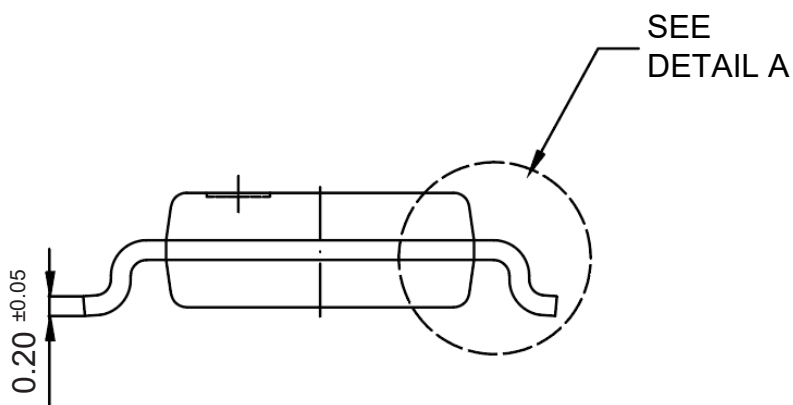
TOP VIEW



DETAIL A



SIDE VIEW



FRONT VIEW

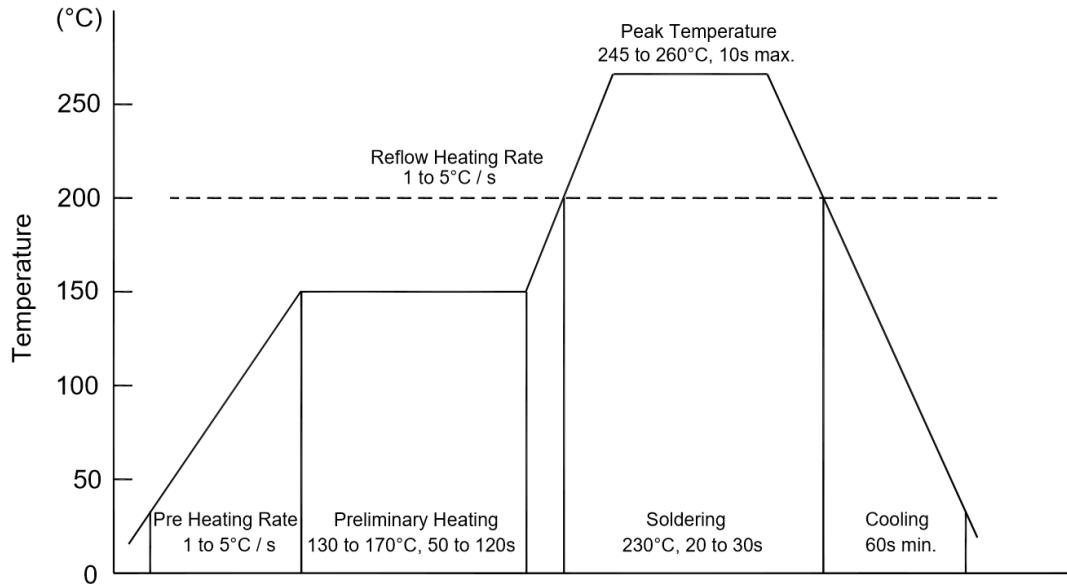
Ordering Information

Device	Package	Shipping
PJM10H05PPA	SOP-8	4,000PCS/Reel&13inches



Conditions of Soldering and Storage

◆ Recommended condition of reflow soldering



Recommended peak temperature is over 245°C. If peak temperature is below 245°C, you may adjust the following parameters:

- Time length of peak temperature (longer)
- Time length of soldering (longer)
- Thickness of solder paste (thicker)

◆ Conditions of hand soldering

- Temperature: 300°C
- Time: 3s max.
- Times: one time

◆ Storage conditions

- **Temperature**
5 to 40°C
- **Humidity**
30 to 80% RH
- **Recommended period**
One year after manufacturing

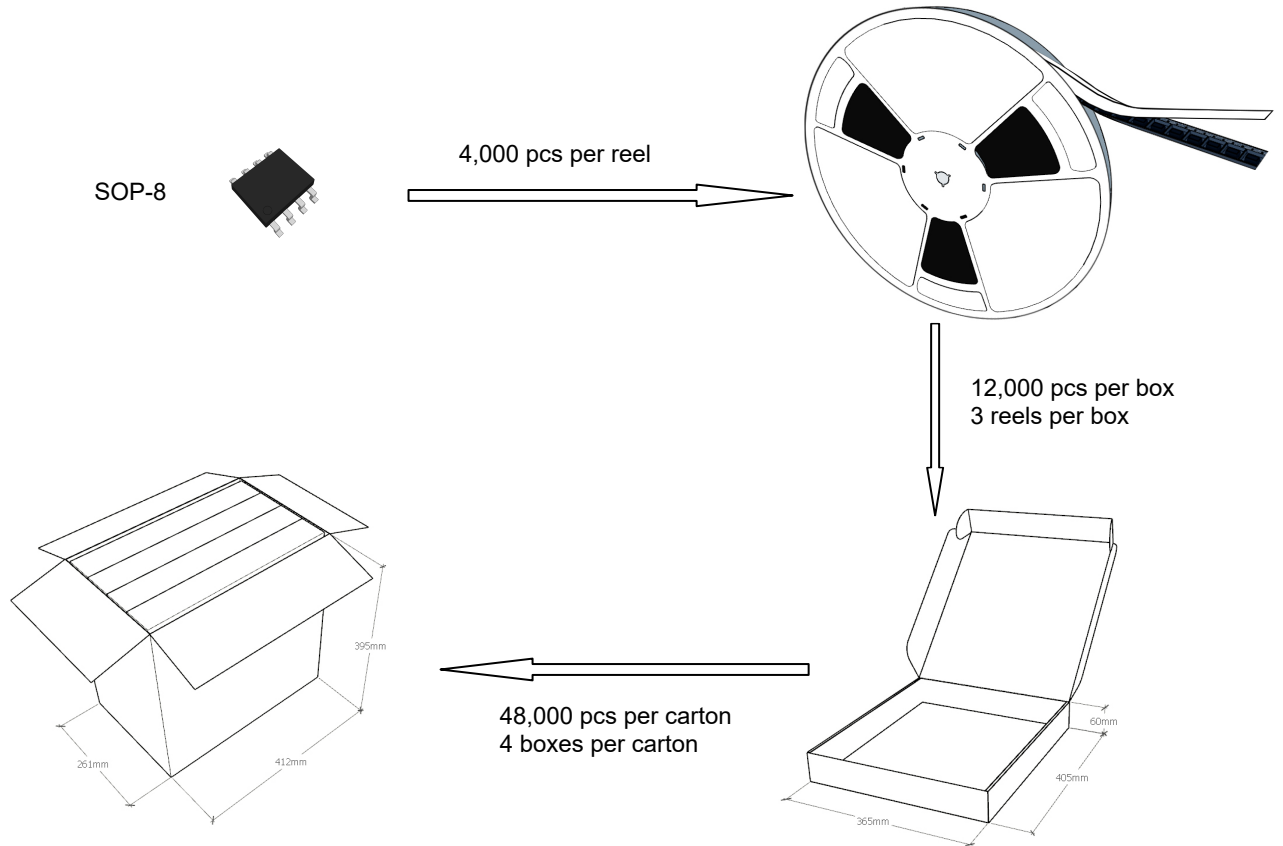


PJM10H05PPA

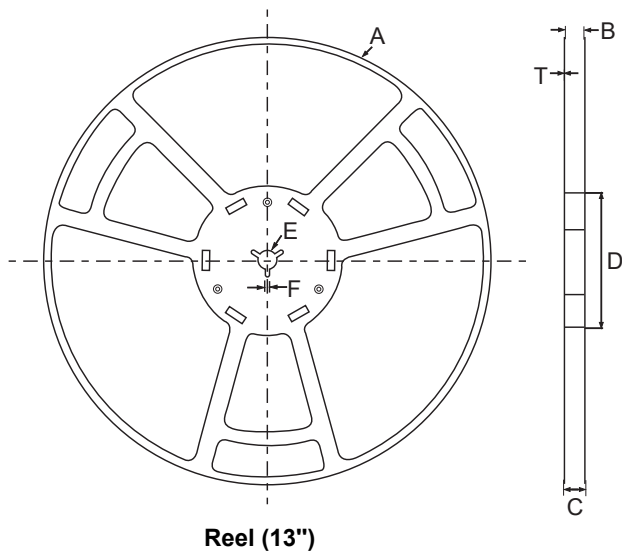
P-Channel Enhancement Mode Power MOSFET

Package Specifications

- The method of packaging



◆ Embossed tape and reel data



symbol	Value(unit:mm)
A	$\phi 330 \pm 1$
B	12.7 ± 0.5
C	16.5 ± 0.3
D	$\phi 99.5 \pm 0.5$
E	$\phi 13.6 \pm 0.3$
F	2.8 ± 0.3
T	1.9 ± 0.2

