

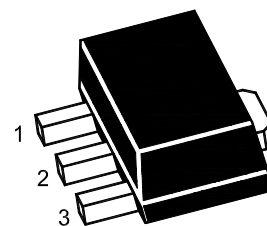
PJ78L05ASQ-N

3-Terminal Voltage Regulator

Features

- Input voltage: up to 35V
- Output voltage: 5V
- Output current up to 100 mA, internal thermal overload protection and short-circuit current limiting.

SOT-89



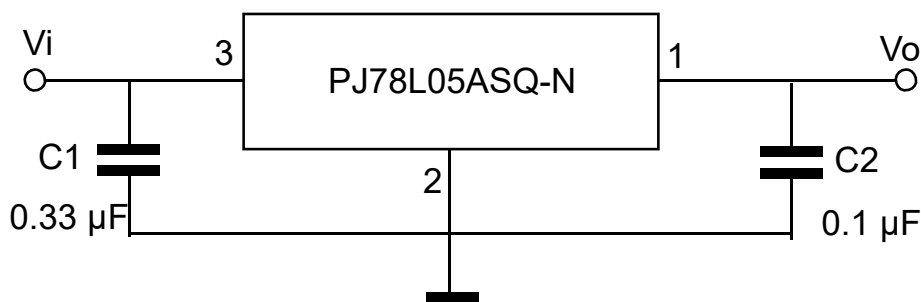
1. VOUT 2. GND 3. VIN

Marking Code : 78L05A

5 Vgc`i h`AU]a i a `FU]b[g`

Ratings at 25°C ambient temperature unless otherwise specified.

Parameter	Symbol	Value	Unit
Input Voltage	V_I	35	V
Output Current	I_o	100	mA
Junction Temperature	T_J	150	°C
Storage Temperature Range	T_{STG}	-55 to +150	°C





PJ78L05ASQ-N

3-Terminal Voltage Regulator

Electrical Characteristics

Ratings at $T_J=25^{\circ}\text{C}$, unless otherwise specified.

Parameter	Symbol	Test Conditions	Min.	Typ.	Max.	Unit
Output Voltage	V_o	$V_i=10\text{V}$, $I_o=40\text{mA}$	4.95	5.0	5.05	V
		$I_o=1\text{mA}$ to 40mA , $V_i=7\text{V}$ to 25V	4.95	5.0	5.05	V
		$I_o=1\text{mA}$ to 100mA	4.95	5.0	5.05	V
Line Regulation	ΔV_o	$V_i=7\text{V}$ to 25V , $T_J=25^{\circ}\text{C}$	--	18	75	mV
		$V_i=8\text{V}$ to 25V , $T_J=25^{\circ}\text{C}$	--	10	54	mV
Load Regulation	ΔV_o	$I_o=1\text{mA}$ to 100mA , $T_J=25^{\circ}\text{C}$	--	20	60	mV
		$I_o=1\text{mA}$ to 40mA , $T_J=25^{\circ}\text{C}$	--	5	30	mV
Ripple Rejection	RR	$V_i=8\text{V}$ to 16V , $f=100\text{Hz}$, $T_J=25^{\circ}\text{C}$	47	62	--	dB
Quiescent Current	I_q		--	3.75	6	mA
Quiescent Current Change	ΔI_q	$V_i=8\text{V}$ to 25V	--	--	1.0	mA
		$I_o=1\text{mA}$ to 40mA	--	--	0.3	mA
Output Noise Voltage	V_N	$10\text{Hz}\leq f\leq 100\text{KHz}$, $T_J=25^{\circ}\text{C}$	--	40	--	μV



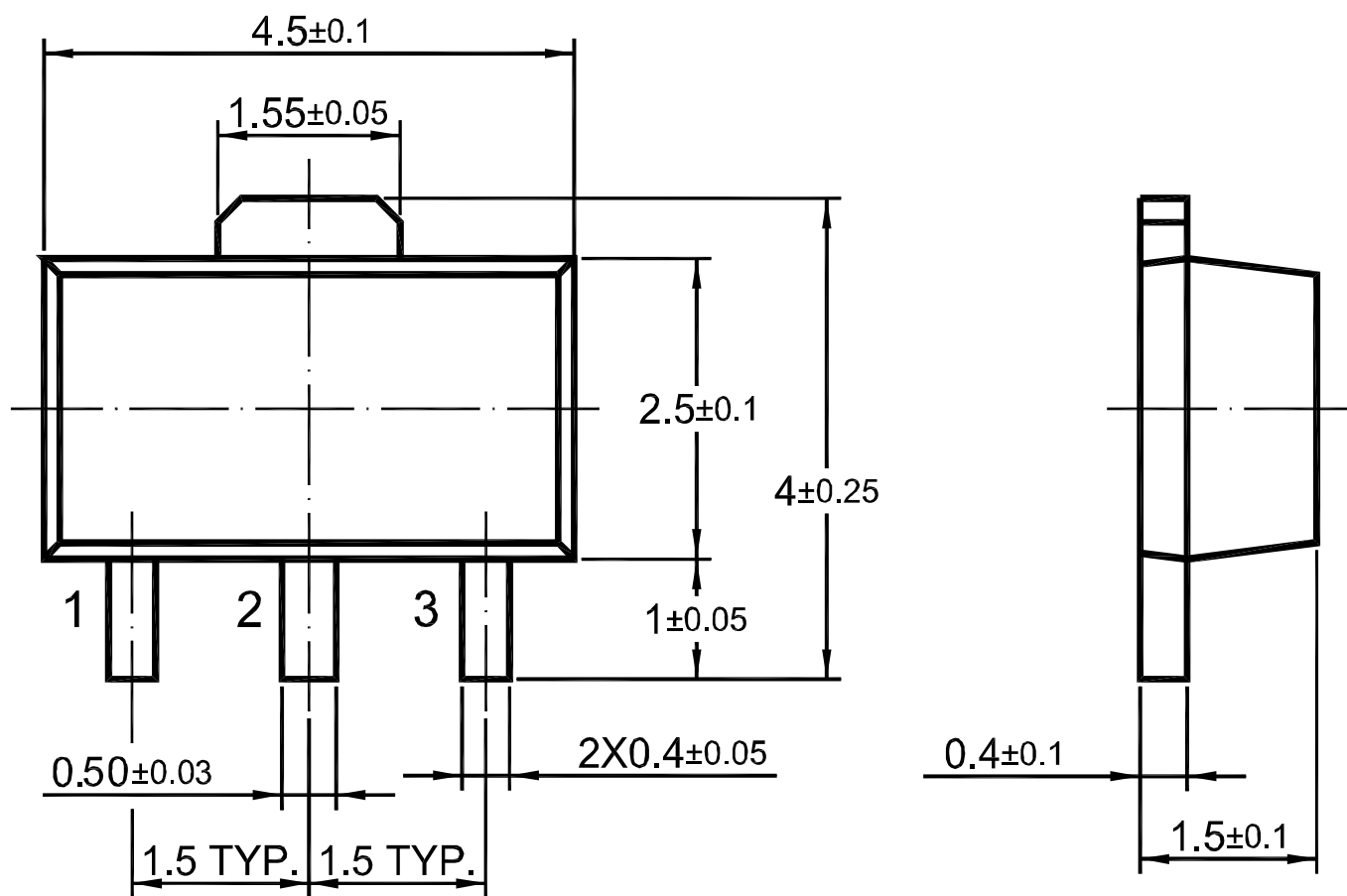
PJ78L05ASQ-N

3-Terminal Voltage Regulator

Package Outline

SOT-89

Dimensions in mm



Ordering Information

Device	Package	Shipping
PJ78L05ASQ-N	SOT-89	1,000PCS/Reel&7inches
		3,000PCS/Reel&13inches